

Installation instructions

Undermount Fireclay Sink

Please read the installation instructions thoroughly. Inspect your sink for any damage before installation. Check all local applicable plumbing and building codes.

These instructions are based on application to composite materials or solid surface countertop installation only. No template is provided and the actual sink is used instead due to dimensional variations inherent in the fireclay manufacturing process. The manufacturer recommends that Fireclay sinks should be installed by a professional experienced installer.

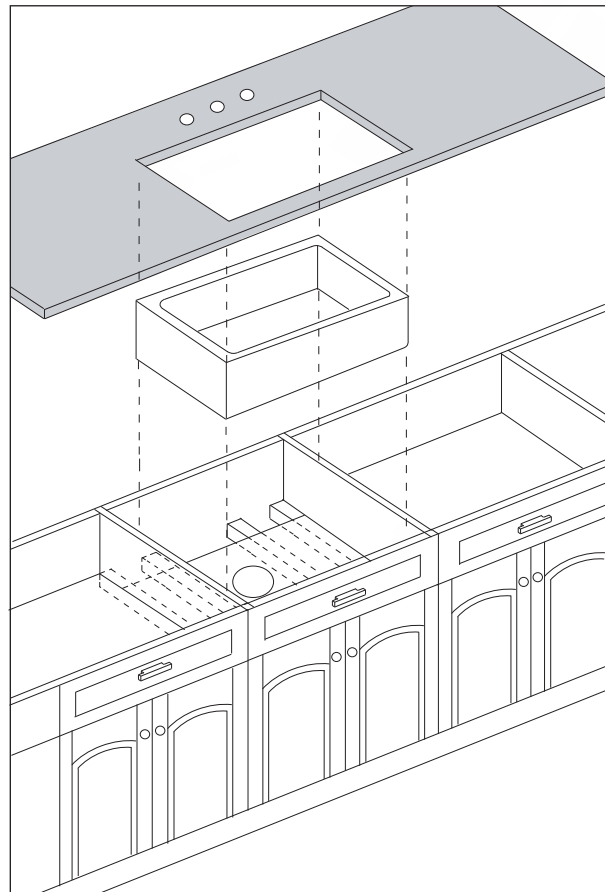
The manufacturer does not accept any liability for damage to countertop, sink, faucets or personal injury due to improper installations.

1. Prepare the Sink Base Cabinet

Build a plywood platform on a support frame inside of the sink base cabinet. Platform must support the weight of the sink and any attachments such as garbage disposals. When the sink is placed onto a platform, make sure the top of the sink is evenly flush against the bottom of the countertop. Allow clearance for water supply line and drains or garbage disposal, as necessary.

2. Make a Template and Cutout

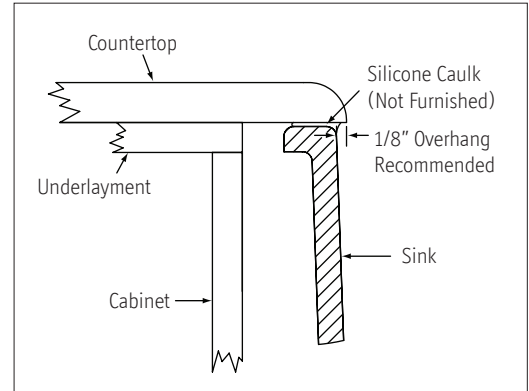
The manufacturer recommends that the sink countertop cutout provide a 1/8" overhang into the sink bowl opening. However it is strongly recommended to understand and agree to the consumer's requirement and desired finished appearance before you start the process.



Once it is agreed upon, cut countertop accordingly. After centering the sink and allowing for any faucets and backsplashes, use a pencil to outline the sink as your guide for the cutout, allowing for any reveal before the actual cutting.

3. Set the Sink

Set the sink into place and then level the sink with the top of the cabinet. Apply sealant near the inside edge.



4. Install the Countertop

Carefully clean bottom of countertop and top flange of sink with denatured alcohol. Apply bead of silicone adhesive (not supplied) around the top edge of the sink. Place countertop onto the sink. Remove excess sealant from the lip or any surfaces with a cleaner recommended by manufacturer of adhesive sealant.

Care and maintenance

Apron-front fireclay sinks are designed and produced for a lifetime of use with minimal care. For everyday cleaning of common dirt and stains, use soapy water or a mild dish detergent. Rinse thoroughly and wipe dry. For harder stains, we recommend a 50/50 water and bleach solution or a non-abrasive cleaner according to cleaning manufacturer's instructions. Rinse thoroughly and wipe dry.

DO NOT use any harsh abrasive or caustic cleaners containing ammonia or alkalis.

DO NOT use any strong chemicals or undiluted bleach solution.

DO NOT use steel wool or scouring pads, as they might damage sink surface.

DO NOT place hot pots or pans directly onto sink.

When pouring boiling water, always run cold water into sinks.

Lifetime Limited Warranty

Apron-front fireclay sinks are produced to the highest manufacturing standards and are covered by a limited lifetime warranty that protects the original purchaser against any defects in materials and workmanship under normal use. If upon determination by the manufacturer that the sink is defective, the manufacturer will replace without charge, with an equivalent sink or refund, will be sent to the original purchaser that it has been used in a residential application and installed, used and maintained according to the instructions supplied with the sink and not damaged due to abuse, misuse or negligence. This warranty will not cover any labor charges incurred in installation, removal, replacement or repair, transportation cost or any consequential damages, which might be caused by the product. The manufacturer shall not be liable in case of ;

- Improper installation or modification of original product
- Damages resulting from abuse, such as scratches by dropping heavy objects into the sink
- Scratches resulting from scrubbing with steel wool, abrasive pads or cleaners
- Improper application such as exposure to corrosive chemicals, or photographic solutions
- Any commercial application

If the original purchaser finds a defect in material or workmanship, please contact the manufacturer for Warranty Service, 2605 Kuser Road, Hamilton, NJ 08691. Please include proof of purchase sales receipt. The law in some states may expand or modify this warranty. This warranty supersedes all other warranties, expressed or implied.